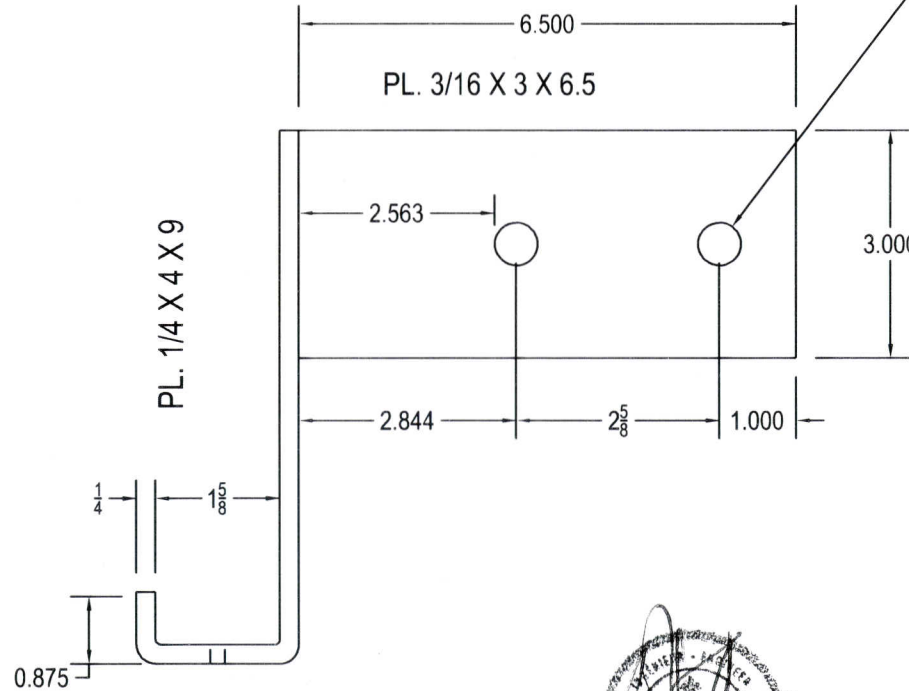
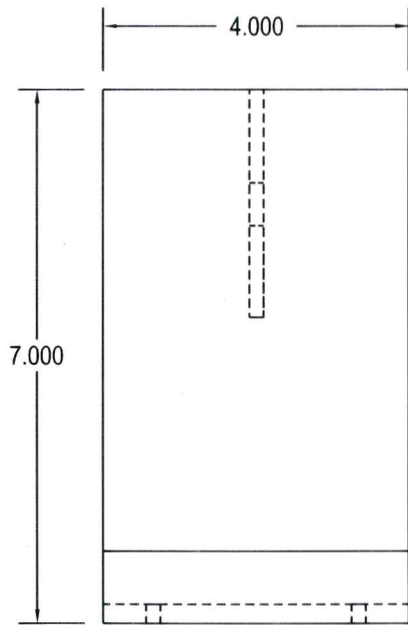
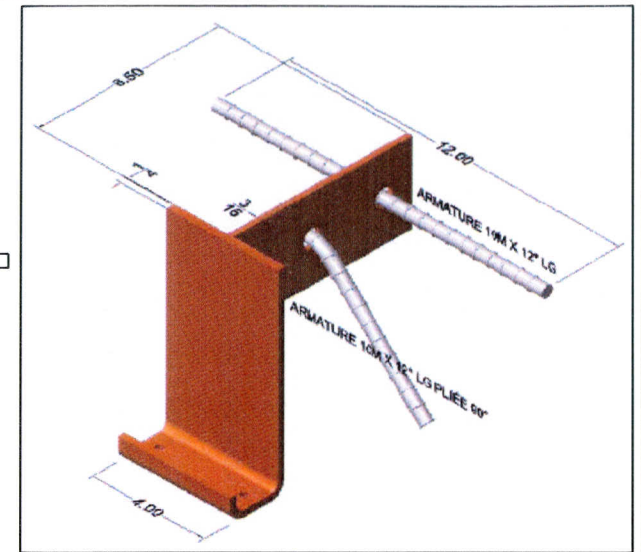
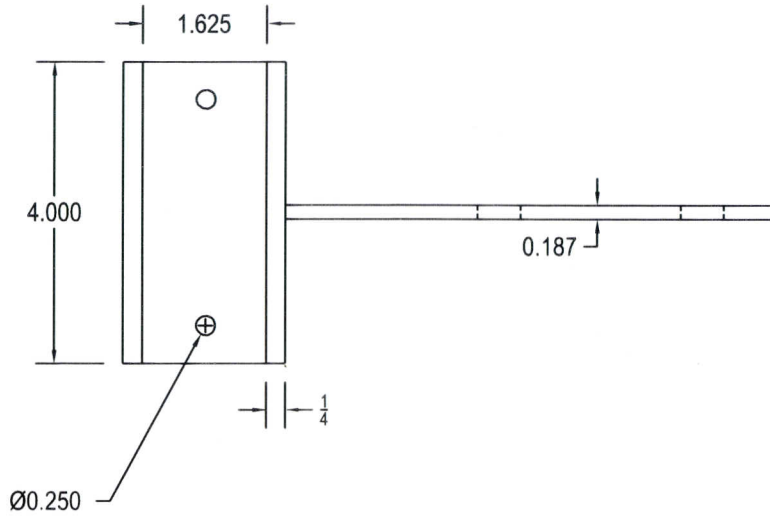


DIST. c/c	Portée
48"	20'
60"	16'
80"	12'



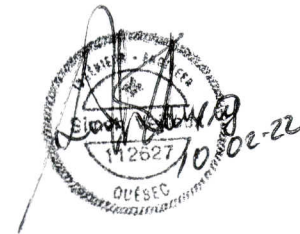
9/16 dia.  
 INSTALLER AU CHANTIER  
 LES ARMATURES 10M  
 SELON DÉTAIL CI-HAUT



scale: date:

drawn by: date:  
 André Grenon 18 sept 2009

checked by: date:



# SUPPORT POUR PLANCHER BOIS JOIST HANGER FOR WOOD FLOOR

no: POL 09182009-28