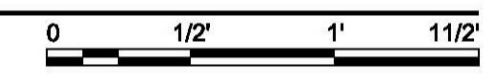
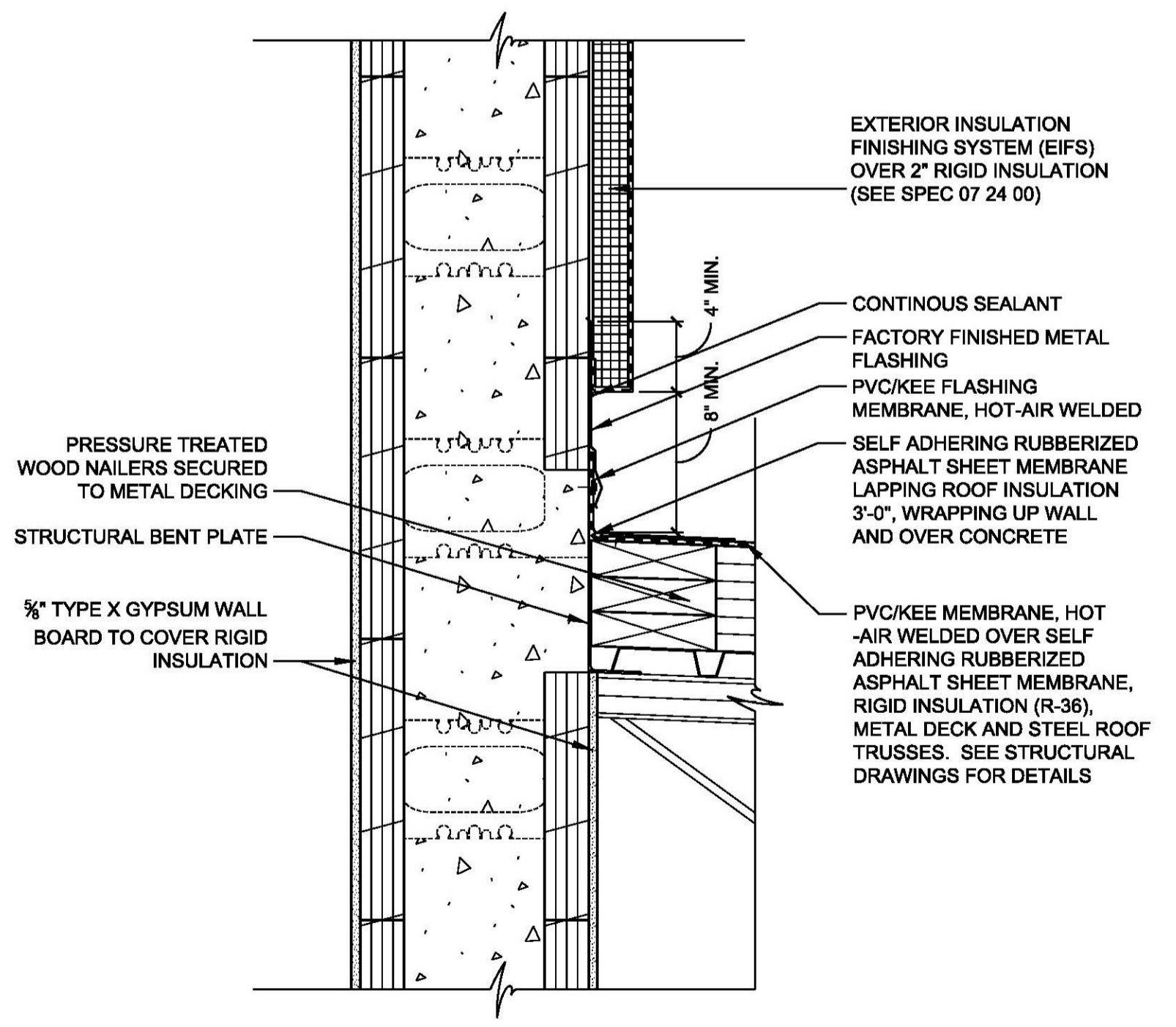
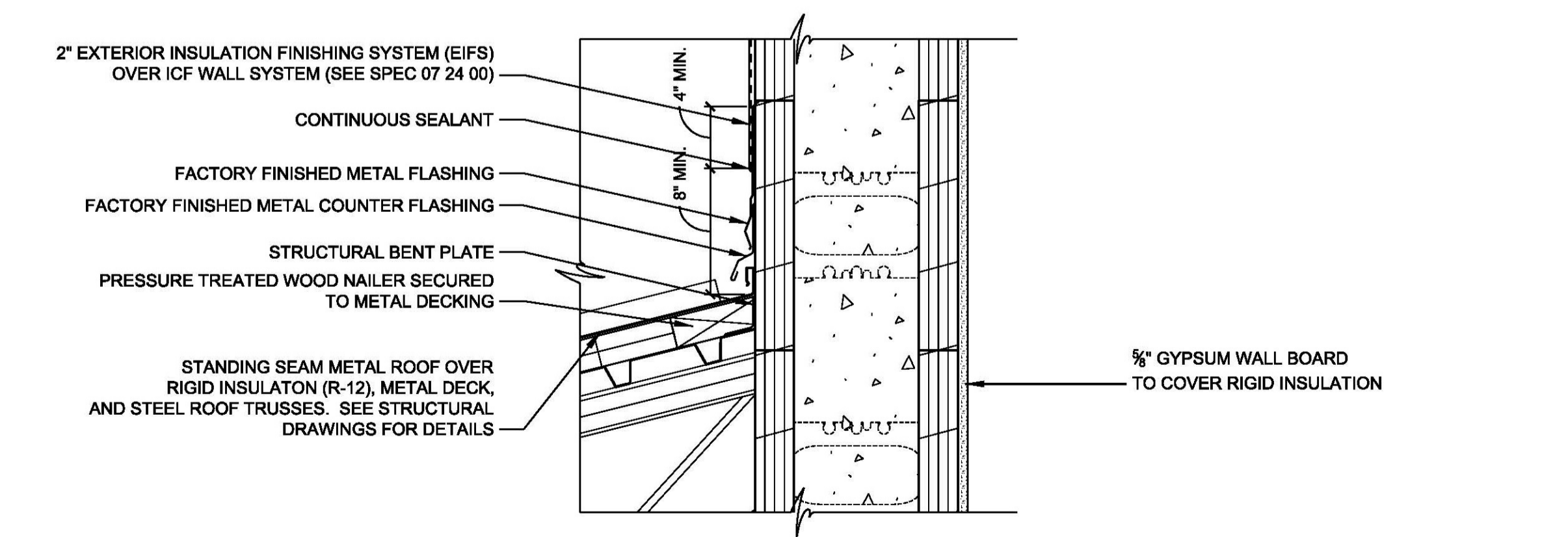
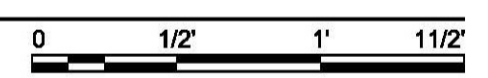


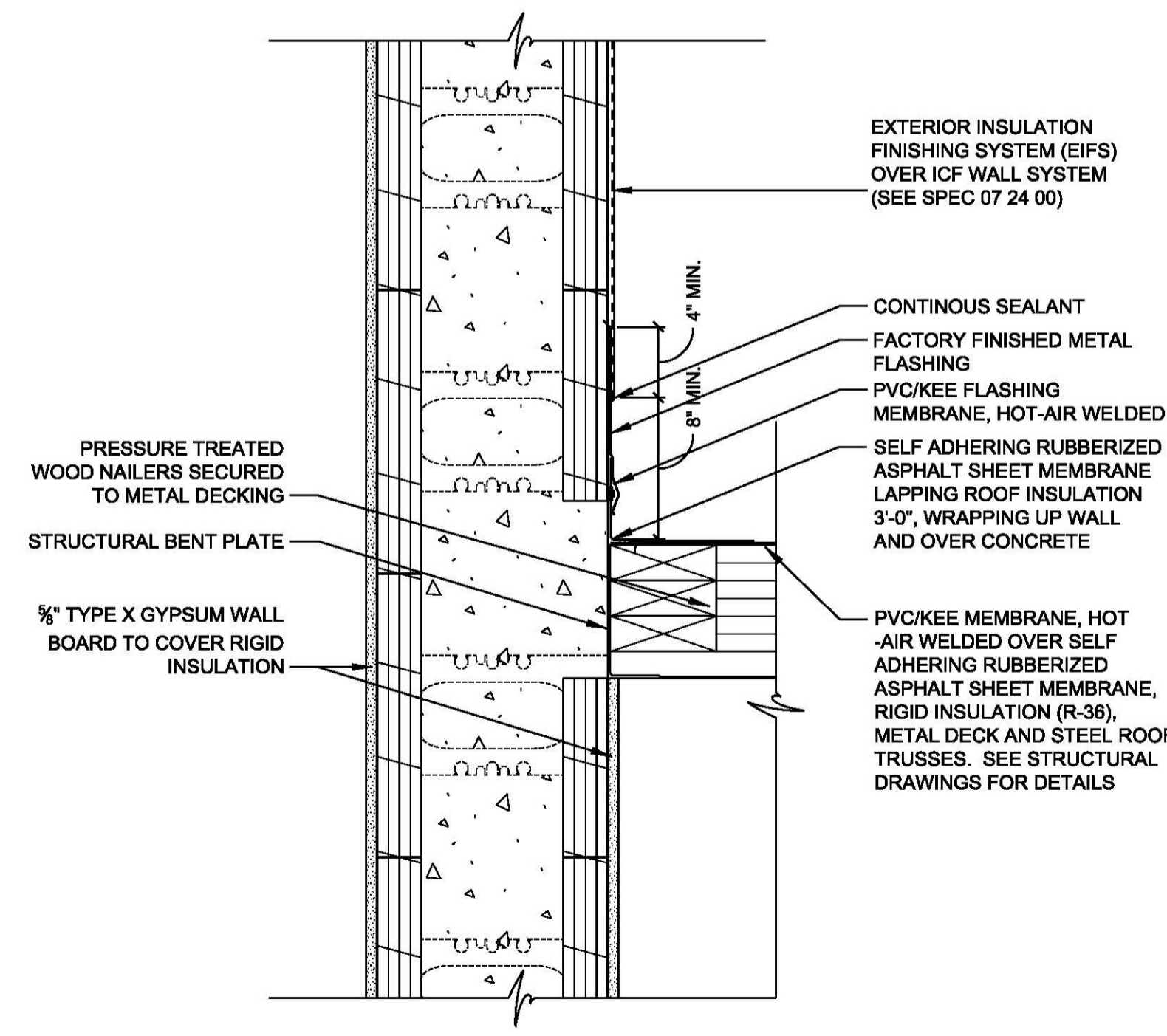
D5 EAVE DETAIL
1 1/2" = 1'-0"



C1 PARAPET DETAIL
1 1/2" = 1'-0"



A5 ROOF/WALL INTERSECTION DETAIL
1 1/2" = 1'-0"



A7 ROOF/WALL INTERSECTION DETAIL
1 1/2" = 1'-0"



A1 CANOPY ROOF/WALL INTERSECTION
1 1/2" = 1'-0"

